

Power Steering Vane Pump

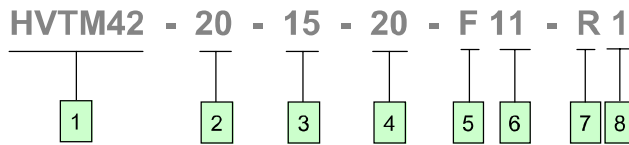
HVTM42 Series



Features

- HVTM42 Series is fixed displacement and balanced type vane pump for mobile and marine power steering application. With flow control and relief valves, the pump does not need separate valves. The pump also can be combined with tank or manifold assembly to be piped to an external tank. With threaded shaft and heavy duty bearing, the pump can be used with gear and pulley drive.



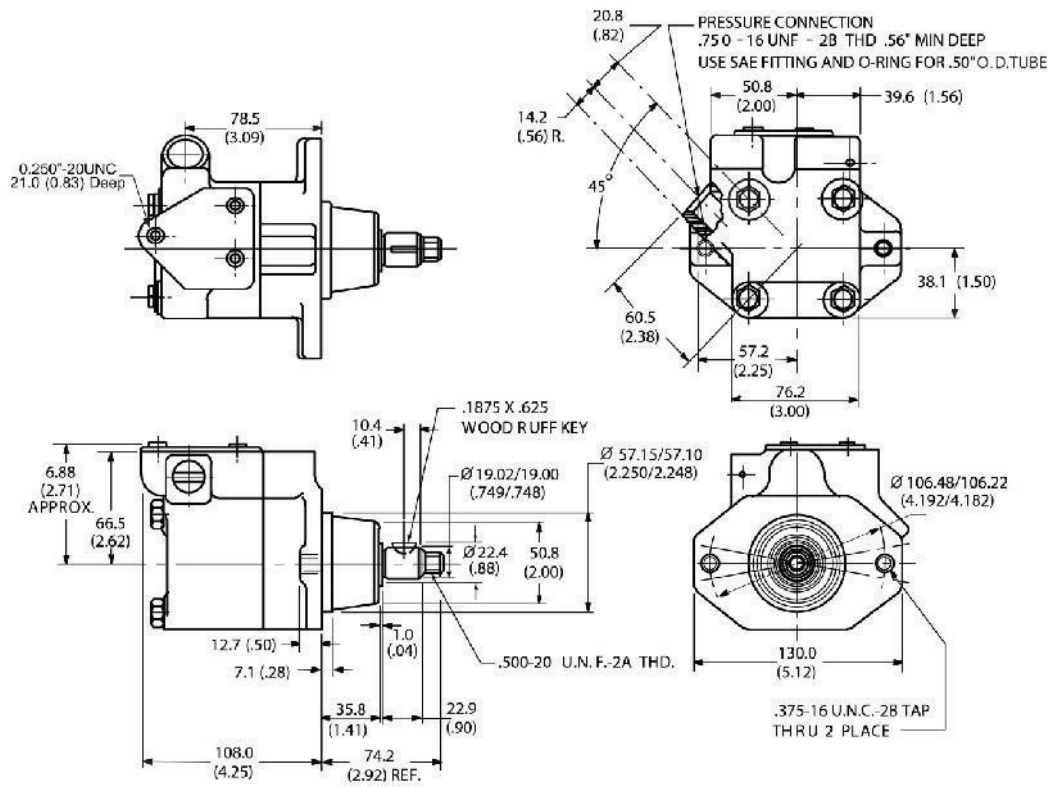


- 1** Model Series
HVTM42
- 2** Delivery (USgpm at 1200 rpm & 7 bar)
 10 - 1.0 USgpm 40 - 4.0 USgpm
 15 - 1.5 USgpm 50 - 5.0 USgpm
 20 - 2.0 USgpm 60 - 6.0 USgpm
- 3** Controlled Flow (at 1200 rpm & 7 bar)
 USgpm (L/min)
 15 - 1.5 (6.0) 50 - 5.0 (19.0)
 20 - 2.0 (8.0) 55 - 5.5 (21.0)
 25 - 2.5 (9.5) 60 - 6.0 (23.0)
 30 - 3.0 (11.0) 65 - 6.5 (25.0)
 35 - 3.5 (13.0) 70 - 7.0 (26.5)
 40 - 4.0 (15.0) 75 - 7.5 (28.0)
 45 - 4.5 (17.0)
- 4** Relief Valve Setting
 psi (bar)
 05 - 500 (35) 15 - 1500 (100)
 07 - 750 (52) 17 - 1700 (120)
 10 - 1000 (70) 20 - 2000 (140)
 12 - 1250 (86)
- 5** Filter for Tank
 NF - Standard baffle without filter
 F - With filter
- 6** Tank or Manifold
 NO - Without Tank
 11 - With 115 cu.in. (1884 cc.) Tank
 07 - With 70 cu.in. (1147 cc.) Tank
 MA - Manifold without bypass tube
 MF - Cast iron manifold with bypass tube
 ME - Cast iron manifold with no bypass tube
 MB - Manifold with bypass tube
- 7** Shaft Rotation
 (Viewed from shaft end)
 R - Turn right
 L - Turn left
- 8** Shaft
 1 - Threaded

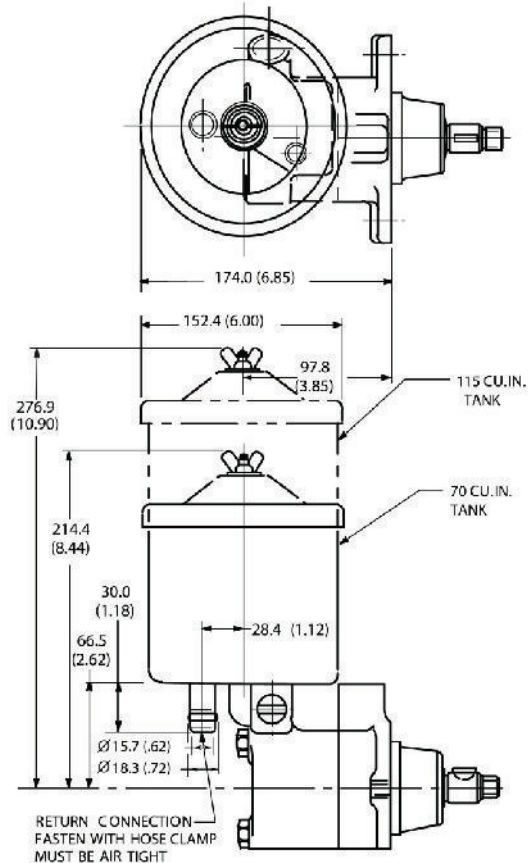
Specifications

Model Series	Ring Size Delivery at 1200 r/m & 7 bar (100psi) USgpm	Geometric Displacement cm^3/r (in^3/r)	Maximum Speed			Maximum Pressure bar (psi)	Weight kg (lb)
			at 7 bar (100 psi) rpm	at 100 bar (1500 psi) rpm	at 140 bar (2000 psi) rpm		
HVTM42	1	3.4 (0.21)	7000	5000	4250	140 (2000)	6.4 (14)
	1.5	5.0 (0.31)	7000	4500	4000		
	2	6.2 (0.38)	7000	4200	3800		
	4	12.9 (0.79)	7000	2800	2800		
	5	15.7 (0.96)	6000	2500	2300		
	6	19.3 (1.18)	5000	2500	2000		

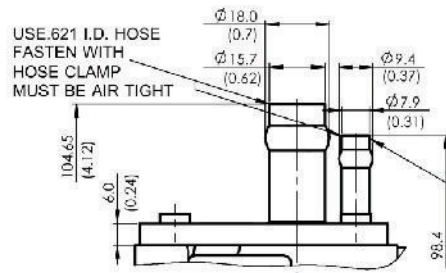
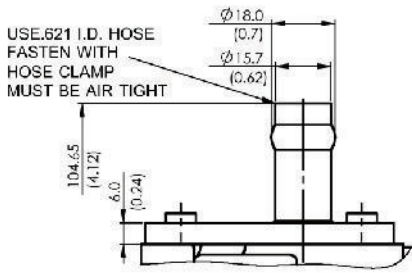
HVTM42 without reservoir or manifold



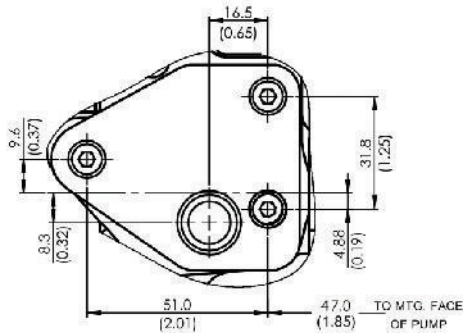
HVTM42 Tank Dimensions



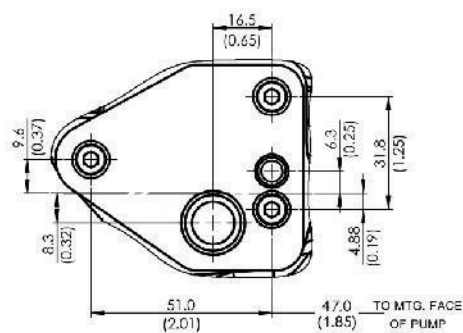
Manifold options for HVTM42



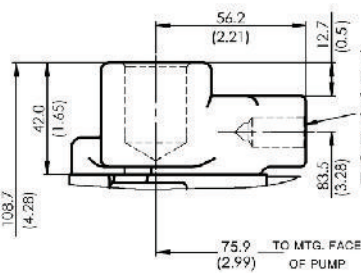
THIS TANK BYPASS CONN. IS REQUIRED FOR INSTALLATIONS WHICH OPERATE AT PUMP RELIEF VALVE PRESSURES FOR PERIODS EXCEEDING 15 SECONDS. CONNECTION MUST BE MADE BELOW OIL LEVEL IN RESERVOIR



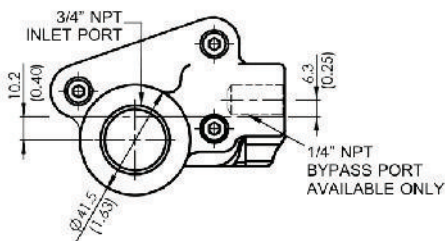
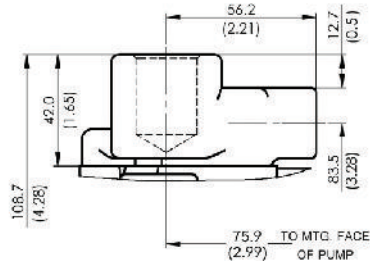
MA Manifold



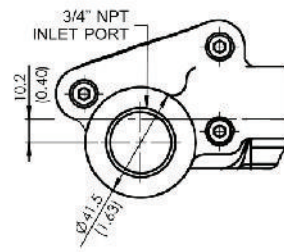
MB Manifold



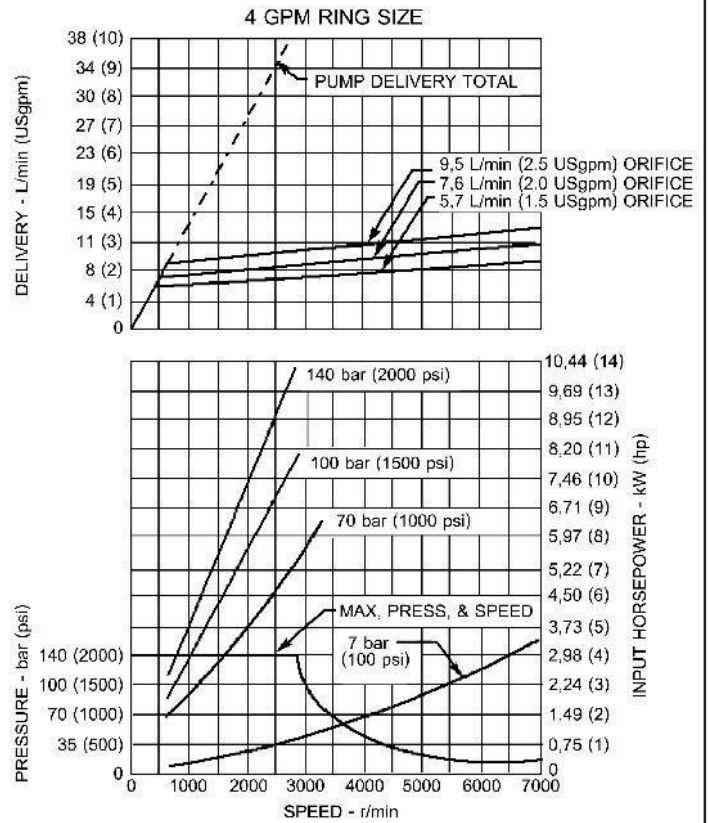
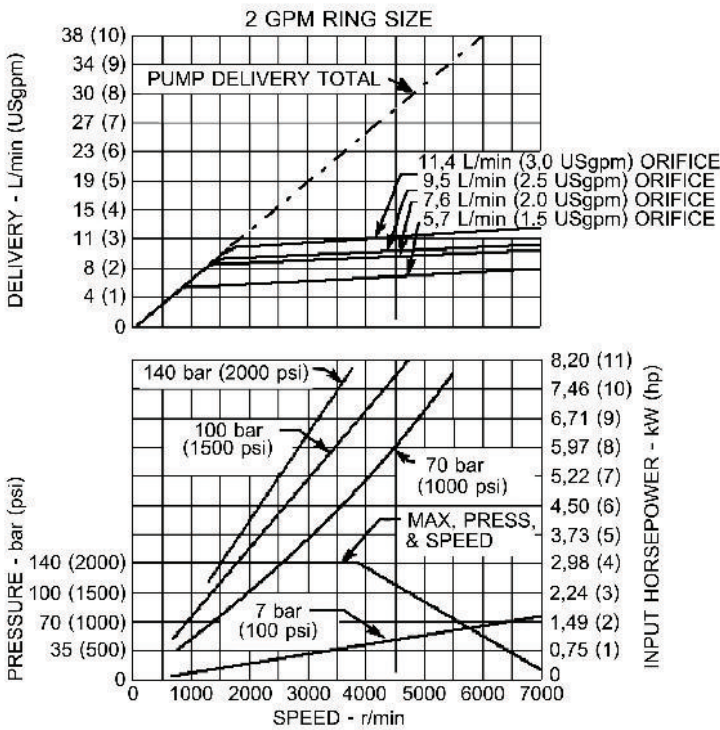
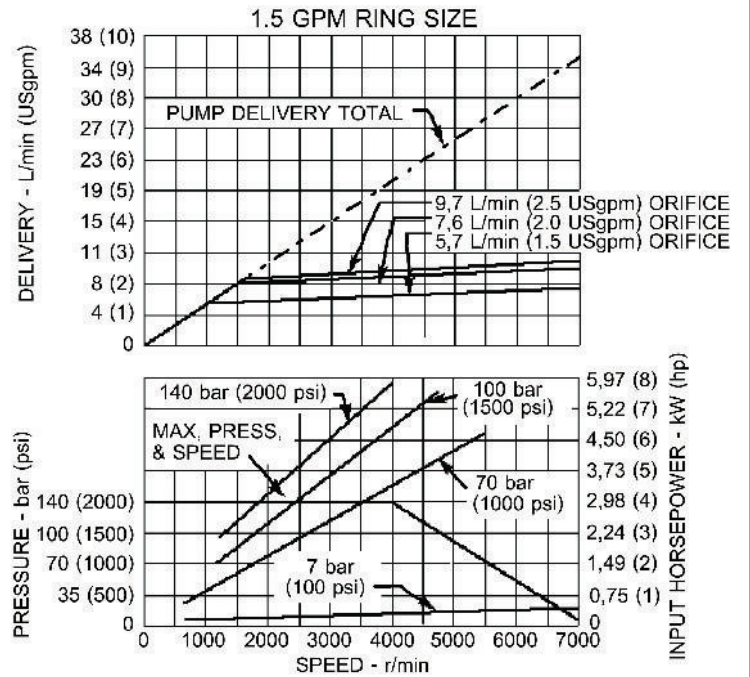
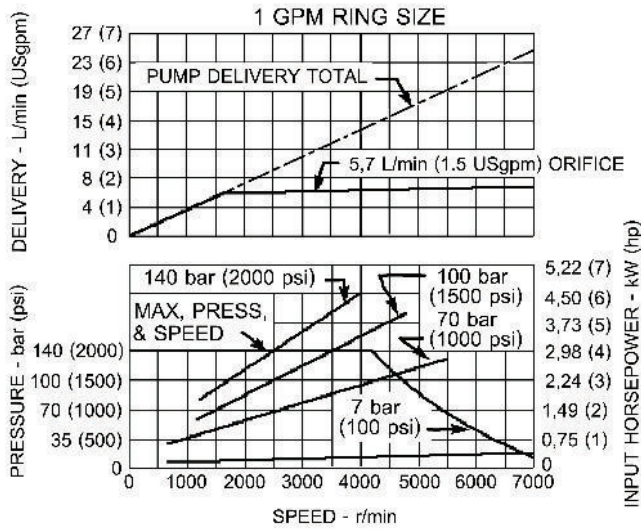
THIS TANK BYPASS CONN. IS REQUIRED FOR INSTALLATIONS WHICH OPERATE AT PUMP RELIEF VALVE PRESSURES FOR PERIODS EXCEEDING 15 SECONDS. CONNECTION MUST BE MADE BELOW OIL LEVEL IN RESERVOIR



MF Manifold



ME Manifold



SIZE

SIZE